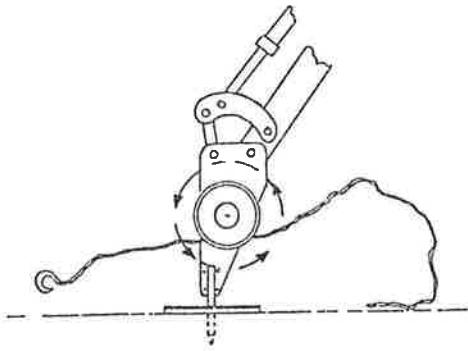


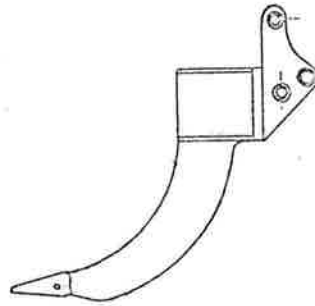
# POWERFAB

## EXCAVATOR ATTACHMENTS



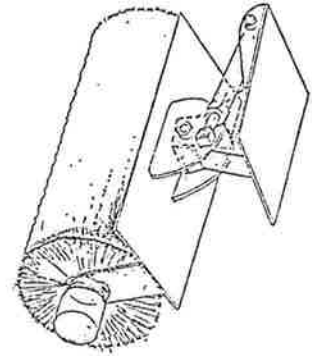
### CAPSTAN

Used for pulling pipes or cables etc. through holes and trenches or across the ground.



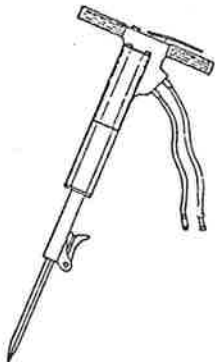
### RIPPING TOOTH

Capable of 1.7 ton tearout force, used in different applications such as removing concrete surface.



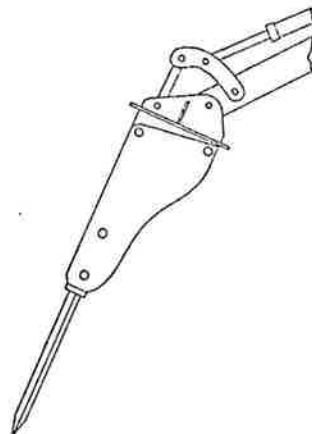
### BRUSH

Used for all purposes such as cleaning paths in winter or summer, factory floors etc. The brush is 1 meter long and comes with or without a catch bucket.



### HAND HELD BREAKER

The hand held breaker is used for breaking rocks, concrete walls and macadam etc.



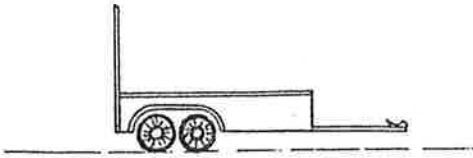
### MACHINE HELD BREAKERS

These heavy duty machine held breakers are used for breaking rock, concrete and macadam etc.



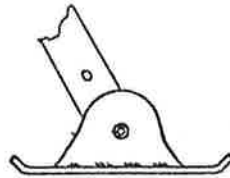
### AUGER

Post hole driller augers to suit:- 6", 8", 10", 12", and 14" diameters are available.



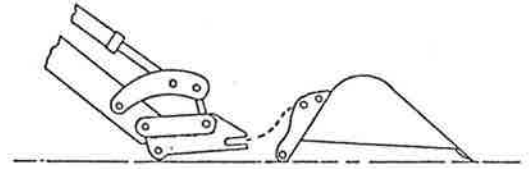
## TRAILER

Easy transportation of the machine to and from the site, or can be towed by the machine, to carry machining equipment around the site.



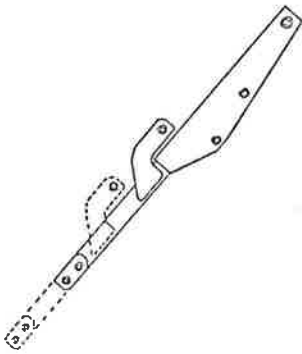
## TAMPER

Used for flattening uneven ground



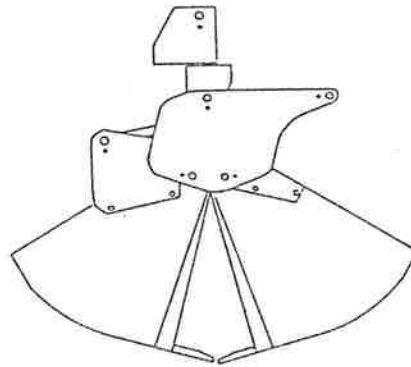
## QUICK RELEASE BUCKET ATTACHMENT

For quick release and easy change of various buckets and attachments.



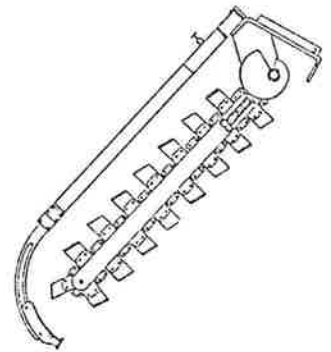
## TELESCOPIC DIPPER

Extended dipper arm, 15" stroke, manually or hydraulically operated. Increases digging depth to 0.19 meters (7.5 inches)



## GRAB

2 1/2" diameter Ram, 6" stroke, maximum working pressure 186 Bar (2700 PSI) can be supplied with different types of buckets and various sizes.



## TRENCHER

It has been designed for utilities installations such as cables, gas pipe lines and irrigation services etc. Dig a trench of 4" wide and 2 to 3 feet deep, hard or soft dig.

For further information contact our Sales Dept. at the address given below.

Your Powerfab Distributor.

# POWERFAB

SALES & SPARES LIMITED

FAIR VIEW, ASHVALE,  
TREDEGAR, GWENT NP2 3HA  
UNITED KINGDOM.

TELEPHONE: 049525 - 6627.

TELEX: 498973 POWFAB G.

FAX: 0495 - 718162

Patents Pending