

POWERFAB 360

EXCAVATORS

INCLUDING THE **3.0M (9'-11")**
DEEP DIG MACHINE
WITH THE **3.3M (10'-11")**
LONG REACH

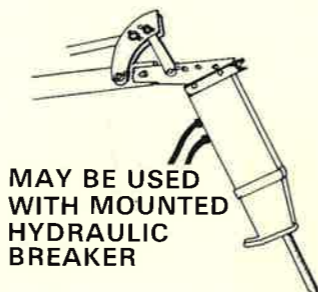


POWERFUL - TOUGH - PRACTICAL - that's the POWERFAB 360

Rugged machine construction based on years of proven design and precision engineered throughout, makes the POWERFAB 360 a most versatile excavator to meet the rigorous demands of today's construction industry

A full 360° slew, giving continuous dig, slew and dump operation, with an unbelievable 2.0 TON 'Tear - Out (Bucket Tooth) Force', the POWERFAB 360 out-performs on every job.

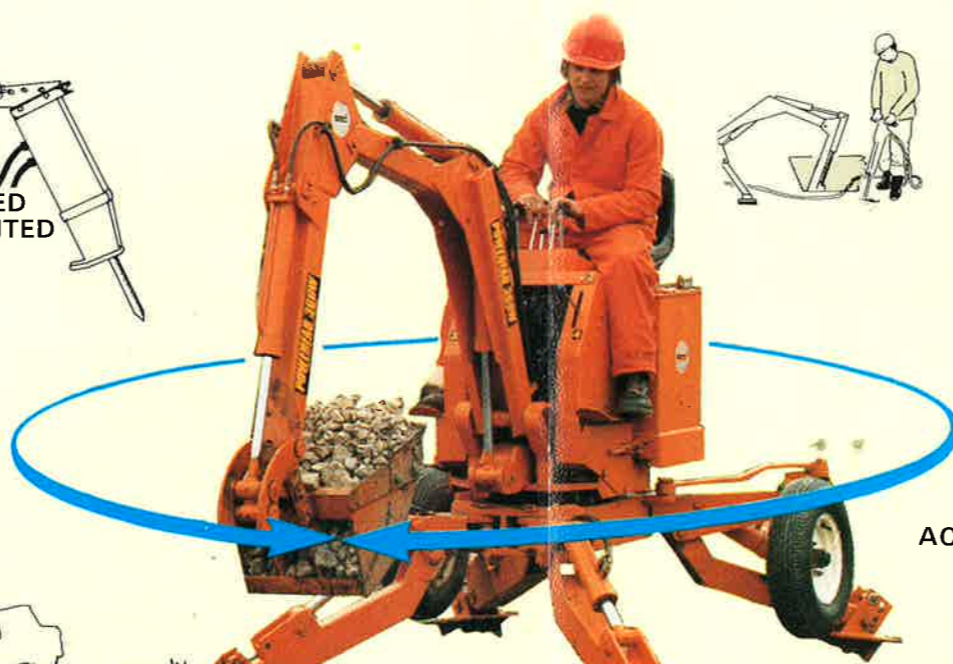
Yes, even tight access presents no problem, through an 0.7metre (2' - 3") opening, the machine is ready to work - tough digging, trenching and low overhead clearance, all with easy 'One - Man' operation, with the power and precision that makes the POWERFAB 360 the leader.



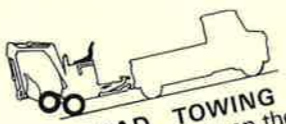
MAY BE USED WITH MOUNTED HYDRAULIC BREAKER



FULL RANGE OF OPTIONAL EQUIPMENT ALL POWERED FROM HYDRAULIC POWER TAKE - OFF



AMAZING ACCESSIBILITY



ON ROAD TOWING Simply mount the machine on the Powerfab Trailer, which is fully equipped with sprung rubber suspension and over-run brakes, facilitating speeds of up to 40 mph.



OFF ROAD EXCAVATING With a 360° slew the machine can dig and load directly into the towing vehicle, whilst still hitched. The 360 W & 360 C can operate other ancillary hydraulic equipment, still mounted on its trailer.

360 W WALKER



OFF ROAD TRAILED Simply connect the tow bar and the machine can be easily hitched and towed around the site with utmost ease.



DRIVE AROUND Powerful Hydrostatic Transmission with Pivot Steer makes this machine a top performer. Climbs hills and gradients with ease, can be driven on road, or around the site, at 3mph/5kph, which enables the operator to perform almost any task with total confidence.

360 WT SELF TRAILERING

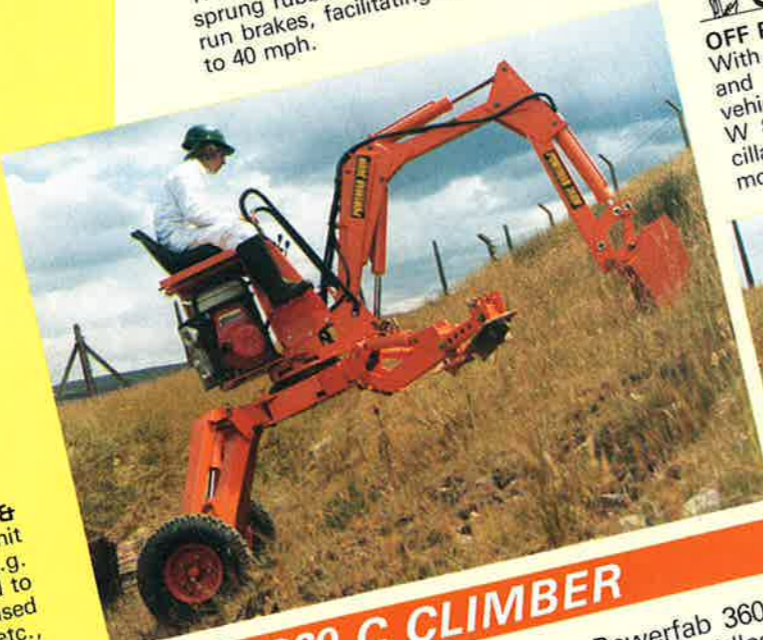
ON ROAD TOWING This machine is a totally self contained unit with its own built-in tow bar, sprung rubber suspension and fitted with over-run brakes, enabling towing speeds of up to 40 mph.



ON & OFF ROAD EXCAVATING Even whilst still hitched, the 360 WT can dig and load directly into the towing vehicle - time saving and convenient. Easily unhitched the machine can be effortlessly 'walked' around the site or used independently as required.



USE OF ANCILLARY EQUIPMENT BOTH ON & OFF ROAD The Hydraulic Power Take Off Unit allows the machine to operate other equipment e.g. breaker, post hole borer etc., whilst still mounted to the towing vehicle. Any suitable vehicle may be used on site, such as a dumper, pick-up, tractor etc., making for unlimited possibilities of the machine's capability.



360 C CLIMBER

There is hardly a place that the Powerfab 360 CLIMBER can not reach! Climbs, digs, straddles hills or low walls, works in rivers or lakes, in fact almost anywhere the CLIMBER can reach and



work efficiently and without effort,



that's performance!



MANOEUVRABILITY With the ability to perform sharp turns, the unique Powerfab Pivot Steering makes working in confined spaces extremely efficient and gives optimum operator ability, coupled with the 360° slew, performance and manoeuvrability make the 360 WD unrivalled for versatility.



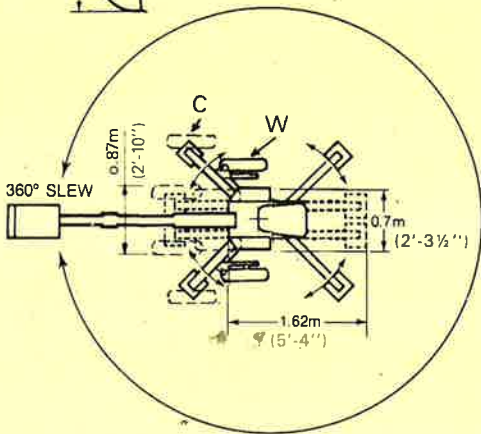
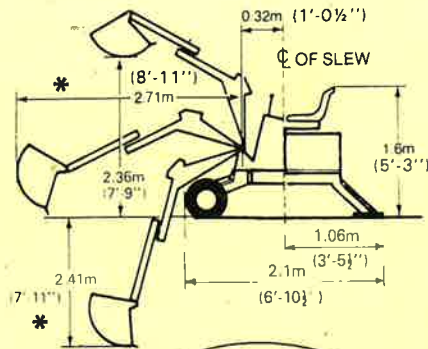
ON ROAD TOWING Should the 360 WD be required to be transported a distance to site, the machine is easily mounted onto the Powerfab Trailer and towed at speeds up to 40 mph. Alternatively, the ancillary equipment may be operated whilst the machine is still mounted on the Trailer.

POWERFAB 360

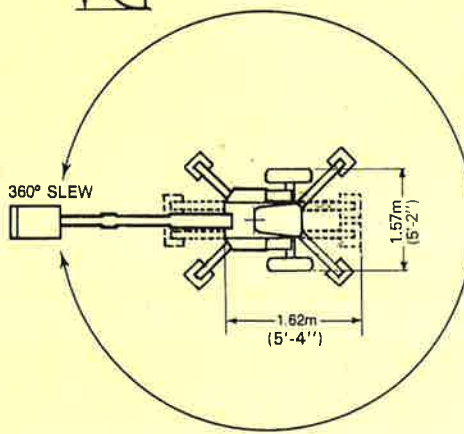
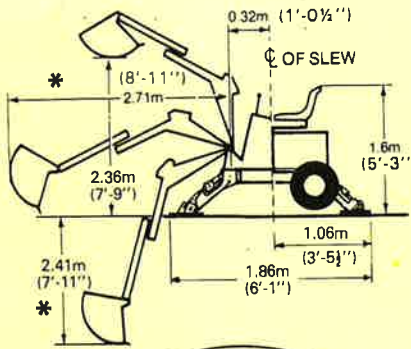
Specification

AVAILABLE IN THE FOLLOWING MODELS

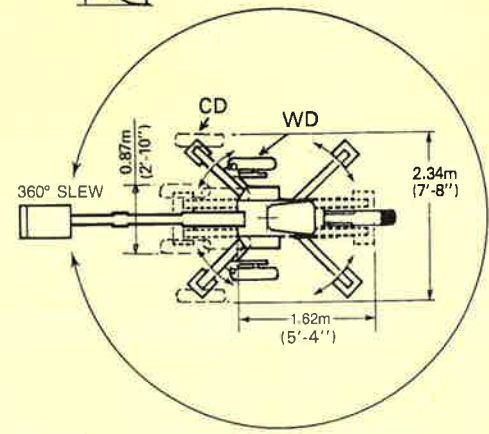
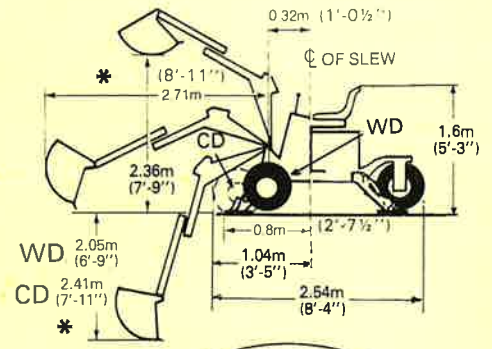
360 W / 360 C



360 WT



360 WD / CD



OUTRIGGERS: Hydraulic outriggers may be adjusted independently, in the vertical position, by the operator - whilst seated in his normal operating position.

* An extended Dipper and Boom is available which will give a maximum digging depth of 3.0M (9'-11") and maximum reach of 3.3M (10'-11")

HYDRAULIC SUPPLY: Maximum flow 21.5 lpm, maximum pressure 165 bar

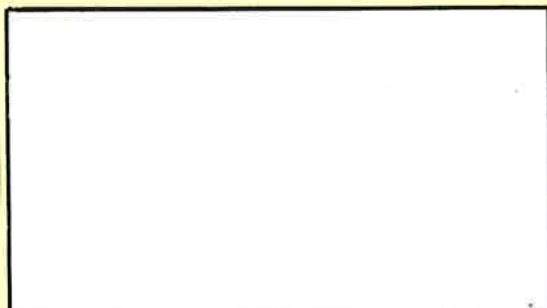
ENGINE: 10 HP Air cooled Petrol engine **OPTIONS:** Petters Diesel engine Lombardini Diesel engine, air cooled
Vertical water cooled 4 cycle Diesel engine 8.1 Kw (10.9 HP), electric start

OUTRIGGERS: Whilst seated, the operator may adjust - in pairs - the front or rear hydraulic outriggers to any vertical position.

POWERFAB MACHINE MODEL REF	ENGINE		TRANSPORT (ON ROAD)	DRIVE	SITE, TOW BAR	FOUR OUTRIGGERS, radially positioned manually, with hydraulic steering	FOUR OUTRIGGERS, radially positioned manually, with hydraulic steering	HYDRAULIC P.T.O. HAND HELD/M/C HELD	LESS HYDRAULIC P.T.O.	ATTACHMENTS													WEIGHT
	PETROL	DIESEL								SEPARATE TRAILER	SELF TRAILER	15cm BUCKET	15cm ELECTOR BUCKET	20cm BUCKET	20cm ELECTOR BUCKET	33cm BUCKET	40cm BUCKET	51cm SQUARE DIG BUCKET	61cm BUCKET	61cm MATERIAL HANDLING BUCKET	32cm FACE SHOVEL	122cm BACK FILL BLADE	
360 W	●	●	●	●	●	●	●	●	●	●	●	●	●	●	●	●	●	●	●	●	●	850 Kg (1870 lb)	
360 C	●	●	●	●	●	●	●	●	●	●	●	●	●	●	●	●	●	●	●	●	●	890 Kg (1958 lb)	
360 WT	●	●	●	●	●	●	●	●	●	●	●	●	●	●	●	●	●	●	●	●	●	980 Kg (2156 lb)	
360 WD	●	●	●	●	●	●	●	●	●	●	●	●	●	●	●	●	●	●	●	●	●	975 Kg (2145 lb)	
360 CD	●	●	●	●	●	●	●	●	●	●	●	●	●	●	●	●	●	●	●	●	●	1020 Kg (2240 lb)	

● INDICATES STANDARD FITTING

● INDICATES OPTIONAL FEATURE



POWERFAB
SALES & SPARES LIMITED
FAIR VIEW, ASHVALE, TREDEGAR,
GWENT NP2 3HA, UNITED KINGDOM.
TELEPHONE: 049525-6627. TELEX: 498973 POWFAB G.