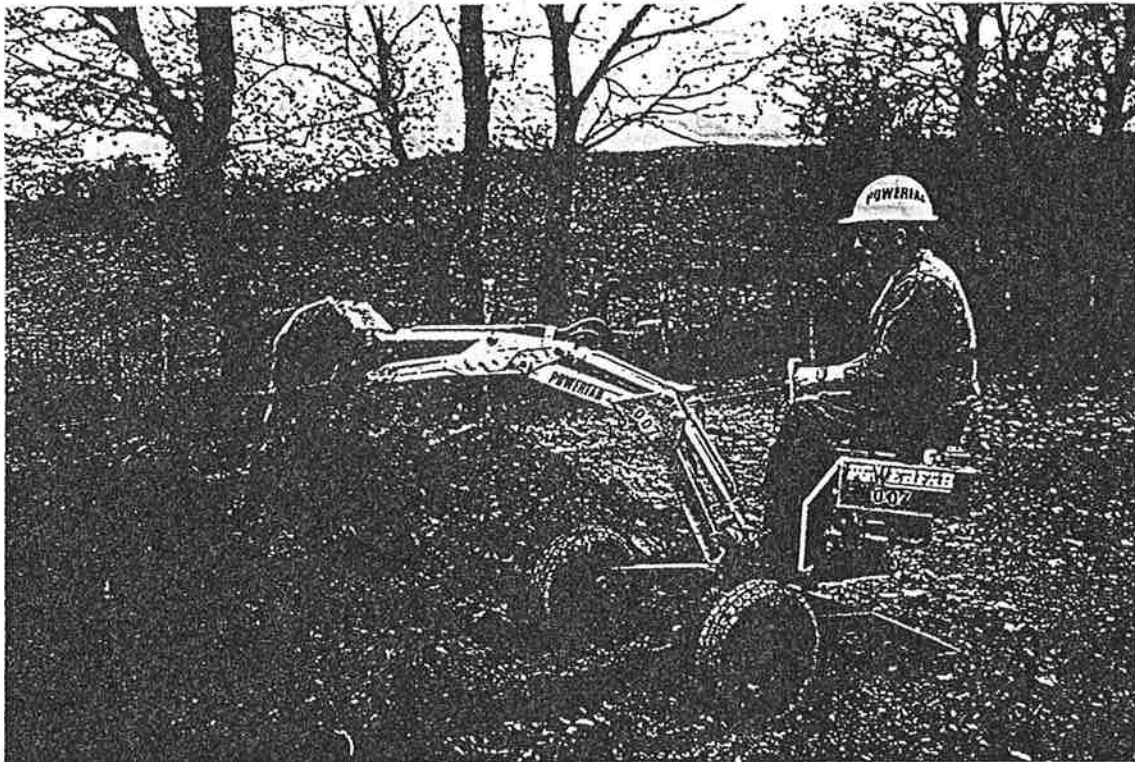
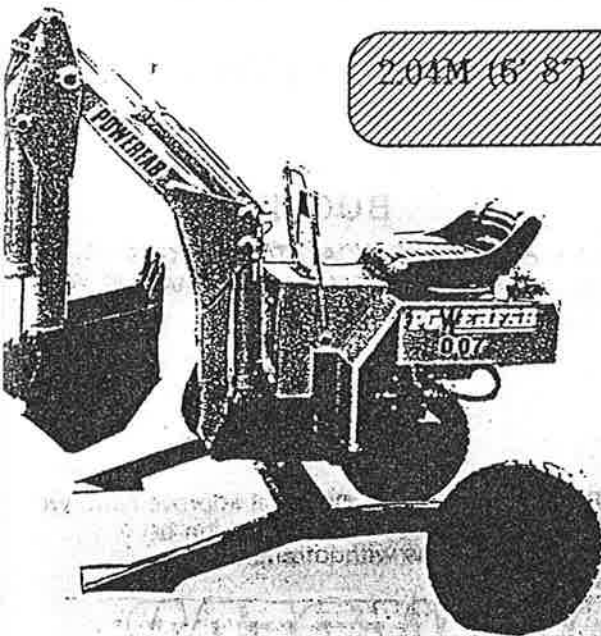


POWERFAB 007



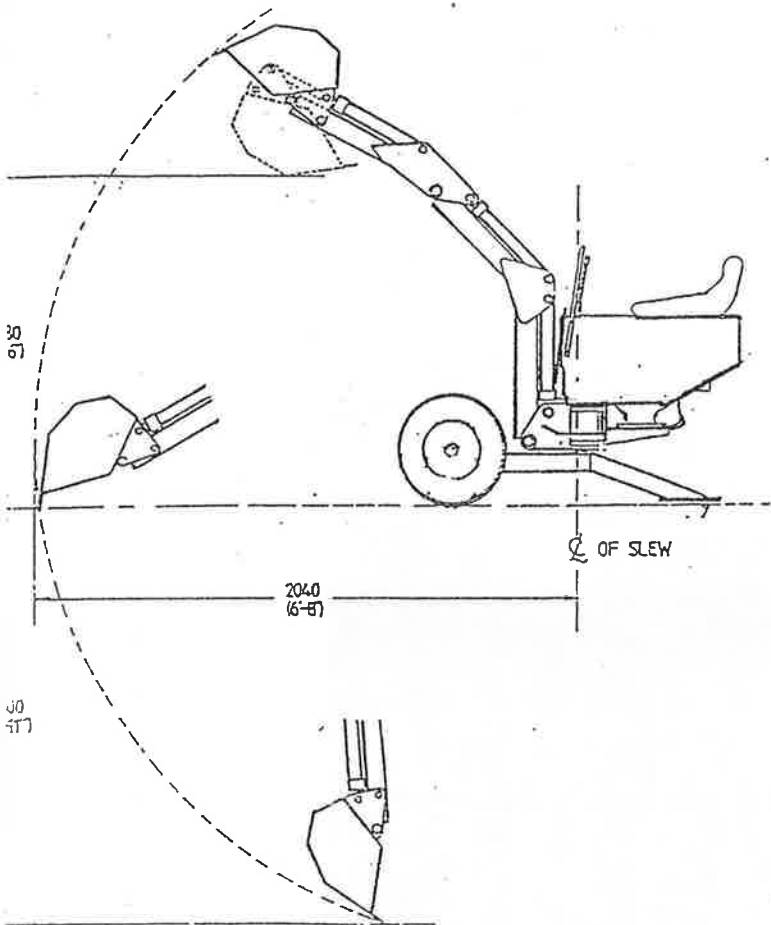
CAN BE TOWED BY LIGHT GARDEN TRACTOR

2.01M (6' 8") DIGGING REACH, 1.5M (4' 11") DEPTH OF DIG
0.8 TONNE DIGGING FORCE

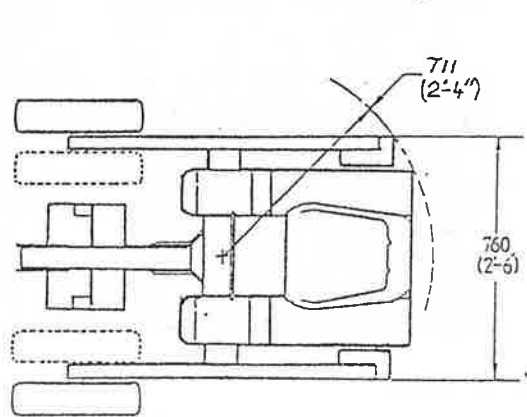
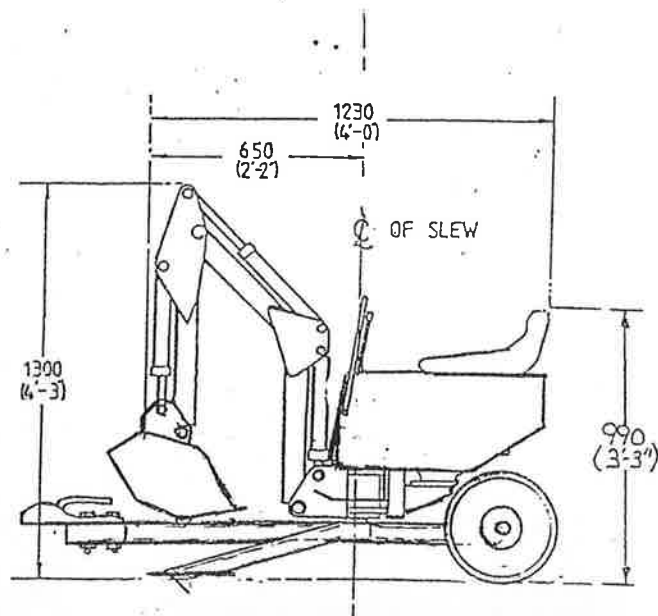


360° continuous rotation

- FULL 360° PLATFORM ROTATION
- CONTROL LEVERS SIMILAR TO LARGER MACHINES
- CAN BE FITTED WITH VARIOUS DIESEL AND PETROL ENGINES
- EASY ACCESS TO MACHINE FROM BOTH SIDES
- WORKS IN CONFINED SPACES WITH ITS SHORT 0.64M TAIL SWING
- CANVAS CAB AVAILABLE
- LIGHT WEIGHT 210Kg (462lbs)
- ALL ROUND EASY ACCESS FOR SERVICING AND MAINTENANCE



OPERATING DIAGRAM



MAJOR DIMENSIONS

BUCKETS

A RANGE OF EXCAVATOR BUCKETS ARE AVAILABLE IN WIDTHS RANGING FROM 200mm TO 400mm)

Due to our policy of continual improvement, we reserve the right to ammend design or specifications without prior notice.

SPECIFICATIONS

ITEM	DESCRIPTION	TECHNICAL DATA
ENGINE	HONDA	5.5HP AIR COOLED PETROL
PERFORMANCE	BOOM SWING ANGLE DIGGING FORCE	360° CONTINUOUS 0.8 TONNE
OPTIONAL HYDRAULIC H.P.T.O.	PUMP FLOW H.P.T.O. OPERATING PRESSURE. MAIN LINE RELIEF PRESS.	18 LPM 124 BAR 138 BAR
SHIPPING DIMENSIONS	LENGTH X WIDTH X HT.	1M X 1M X 1M
MASS	MACHINE WEIGHT	210 KG

For further information contact our Sales Dept. at the address given below.

Your Powerfab Distributor.

POWERFAB

SALES & SPARES LIMITED

FAIR VIEW, ASHVALE,
TREDEGAR, GWENT NP2 3HA
UNITED KINGDOM.

TELEPHONE: 049525 - 6627.

TELEX: 498973 POWFAB G.

FAX: 0495 - 718162