

POWERFAB

LIMITED



1250X

*The Better British Excavator...*

# 1250X

The Better British Excavator...



## ENGINE

Four stroke overhead valve petrol engine for exceptionally smooth and quiet operation. Optional, compact air cooled industrial diesel featuring; two stage direct injection for low noise and smooth running, electric start.

	Standard Petrol	Option Diesel
Model:	Honda GX340	HondaGD410
Capacity:	337cc	411cc
Bore/Stroke:	82mm x 64mm	82mm x 78mm
Net continuous power:	11HP @ 3600 RPM	9HP @ 3600 RPM
Net continous torque:	240kg.cm @ 2500RPM	2.1kg.m. @ 2500RPM
Battery:	Option: Electric Start 12V 45 Ah Recoil Start Std.	Electric Start Std. 12V 45 Ah

## HYDRAULICS

A single pump supplies power to a composite valve featuring precise proportional flow for smooth and progressive control, in line flow control automatically restricts velocities to minimise shock spillage. Hydraulic circuits divided to optimise power and smooth operation. Demand operated preferential flow divider maximises digging power. High efficiency hydraulic oil cooler with turbo fan for heavy duty and high ambient temperature operation. Filtered flow and return with replaceable cartridge on main flow.

Hydraulic pump outputs:	28.8 LPM
Main relief valve setting:	165 Bar.
HPTO relief setting:	138 Bar.
Hydraulic motors:	Travel, two high torque axial piston with counter balance valve. Swing, Orbit rotor motor with counter balance brake valve. Boom and dipper 2.375" diameter x 15" stroke. Bucket 2.375" diameter x 13" stroke. Dozer blade 2.375" diameter x 3" stroke.
Cylinders 4 off:	

## TRACK DRIVE

Independent hydrostatic drive to each reinforced rubber track by high torque motors transferring power through hardened cast steel sprockets. Independent levers and hydraulic circuits permit accurate positioning of machine.

Travel speed (forward and reverse): 1.8 Km/H.

## SWING / SLEW

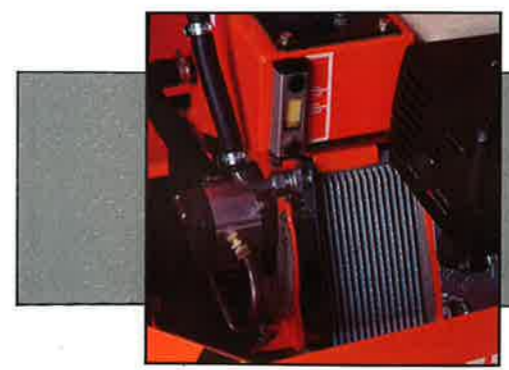
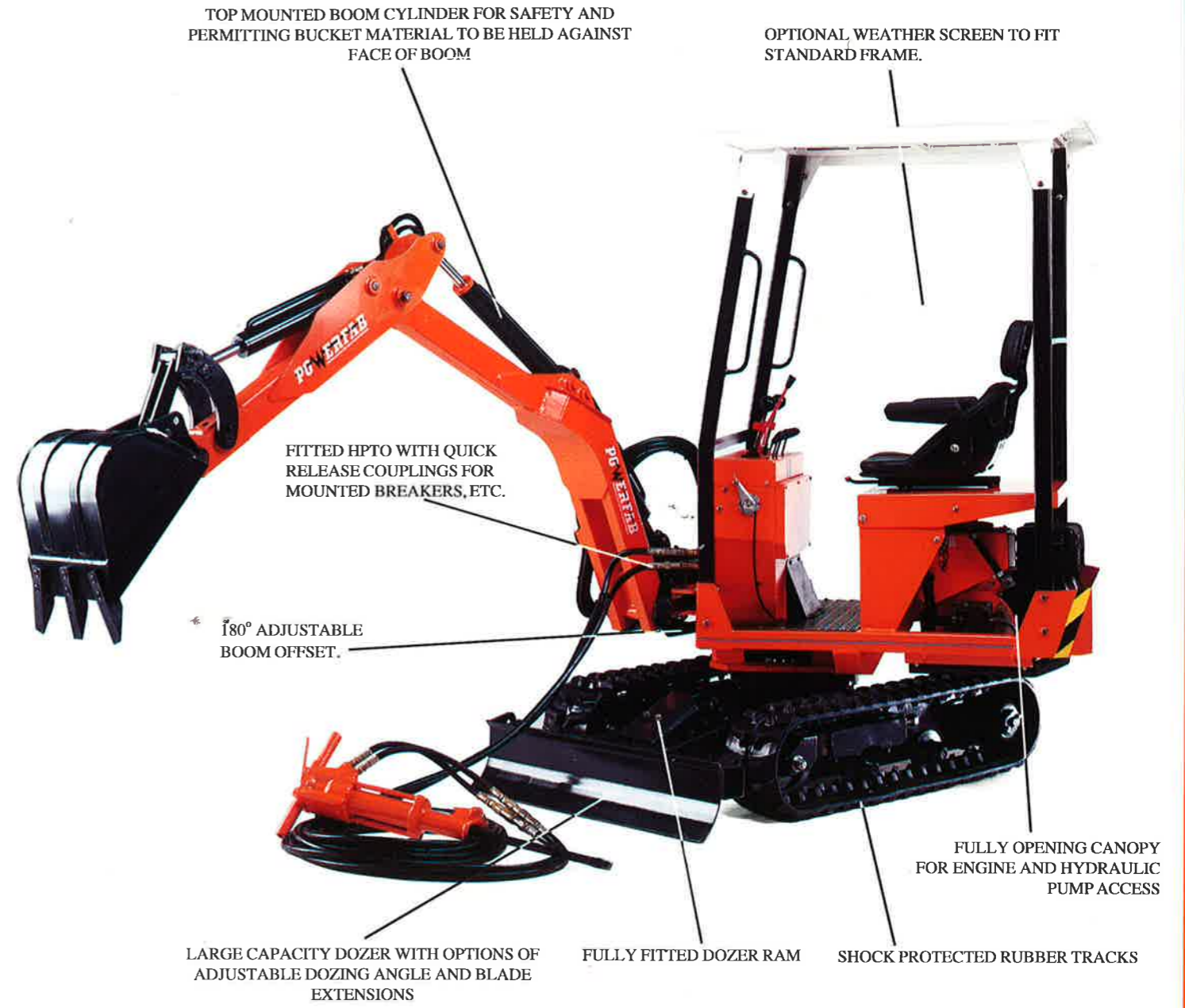
Upper body rotation by an orbit rotor motor with integral automatic brake valve operating as the control lever is returned to neutral where the action is positive. Drive to the body is via fully enclosed induction hardened gears mounted on a single ball race. Precise proportional flow operating controls with shock absorbing valves in the swing circuits ensure smooth stop and start minimising operator fatigue. Boom position manually adjustable through 180° with positive locking for offset digging operations.

Swing speed : 9 RPM.

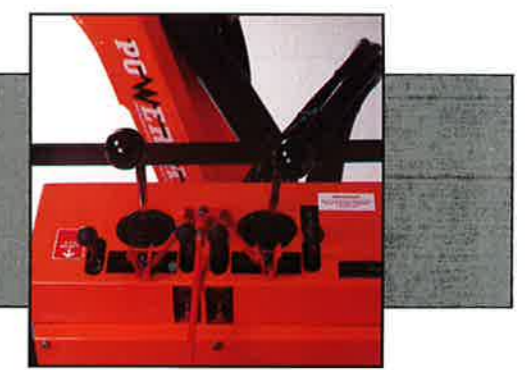
## CONSTRUCTION

Very high specification all steel construction for long life in continuous heavy duty situations. Hardened lubricated pivot pins on boom, dipper and bucket pivots. Replaceable bolt-on hardened bucket teeth. Fully protected rams. Mounted on fabricated heavy duty chassis track frames fitted with 2 lubricated bottom rollers, mechanical track tensioning, and Rocoil shock absorbers.

POWER FAB LIMITED



HYDRAULIC OIL COOLER WITH TURBO AIR FLOW



TWO LEVER CONTROL OF DIGGING FUNCTIONS.

# POWERFAB

LIMITED

# 1250X

## GENERAL SPECIFICATION

Dimensions: mm (inch)

**Mass:**

Operating; 0.98 Tonnes

**Capacity:**

Powerfab 16" (standard) bucket;  
0.045cm SAE (0.04cm GECE)  
Tear out force 1.25 tonnes at root of  
bucket teeth.

**HPTO:**

Body mounted hydraulic power take off  
with self seal quick releasing couplings  
console mounted on/off control.

**Digging dimensions - Max.:**

Ht: 2.133m

Dump ht: 1.955m

Depth: 2.030m

Vertical dig: 1.24m

Radius: 3.390m

Tail swing: 1m

**Boom offset:**

180° operator selectable

**Dozer:**

1000mm x 230mm  
Std. Lift 180mm  
Drop 130mm

**Gradeability:**

58% (30°)

**Noise:**

LWA 103 & LPA 90

**Tracks:**

200mm wide steel reinforced  
heavy duty continuous rubber.

**Ground pressure:**

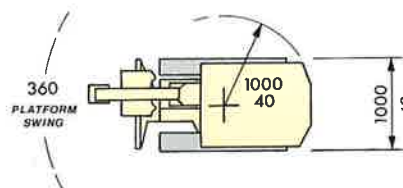
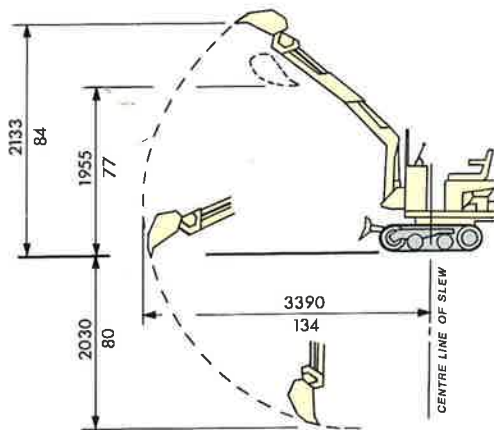
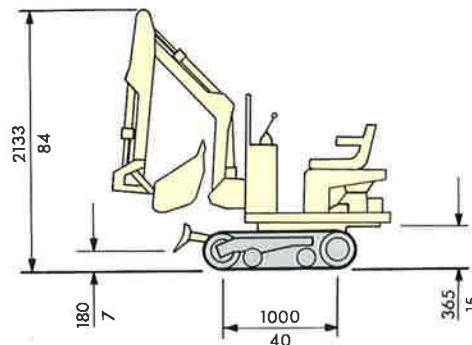
0.25 Kgf/cm sq.

**Buckets:**

4" & 8" clay,  
9" 12" 16" 24" 27" digging,  
36" ditching and 36" blade.  
4" ripping tool.

Due to our policy of continual improvement, we reserve the right  
to amend the design or specification without prior notice. Patents Pending.  
© POWERFAB LIMITED.

DEALER:



# POWERFAB

LIMITED

POWERFAB LIMITED, FAIRVIEW, ASHVALE, TREDEGAR, GWENT NP2 3HA.  
Tel: 0495 256627, 0495 256628, 0495 253083. Fax: 0495 718162

The Better British Excavator...